

LT-311RF LED Dimming Controller



LT-311RF multi-function LED controller is a universal dimming controller, which adopted advanced PWM (pulse width modulation) digital dimming technology, PC engineering plastic housing, soft button control and exquisite appearance; functional change and brightness adjustment. It can be controlled by the buttons on the controller and also by RF remote control. Automatically adapt to 12-24V DC voltage input, which widely used in the resistor current limiting single color LED products.

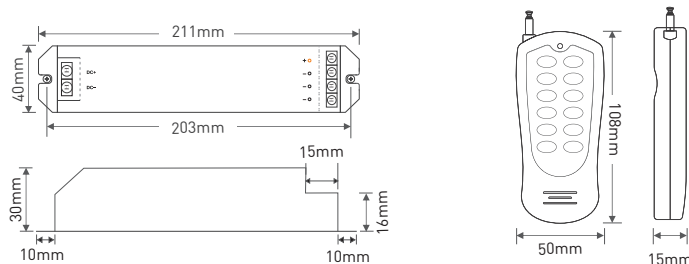
* LT-311RF can be connected to our constant current power repeater to control the hi-power LED lights.

1. Technical Specs:

LT-311RF (Common Anode)

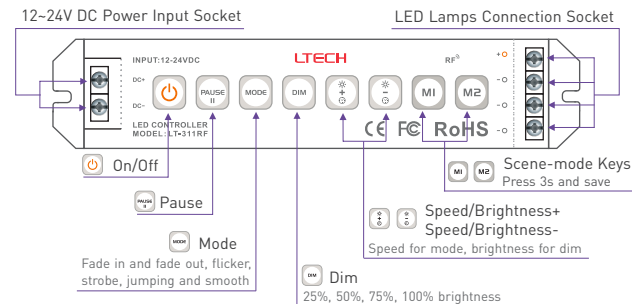
- | | |
|---|----------------------------------|
| • Input Voltage: 12-24V DC | • Working Temp.: -30°C -55°C |
| • Max. Current Load: 6A × 3CH Max 18A | • Dimensions: L211×W40×H30(mm) |
| • Max. Output Power: 216W/432W(12V/24V) | • Package Size: L313×W50×H32(mm) |
| • RF Remote Distance: 100m | • Weight [G.W.]: 240g |
| • Dimming Range: 5-100% | |

2. Product Size:



3. Detailed Key Functions:

8 keys on the controller: ON/OFF, PAUSE, MODE, DIM, SPEED/BRT+, SPEED/BRT-, M1, M2



* Press PAUSE in 3 seconds, the buzzer can be on or off.

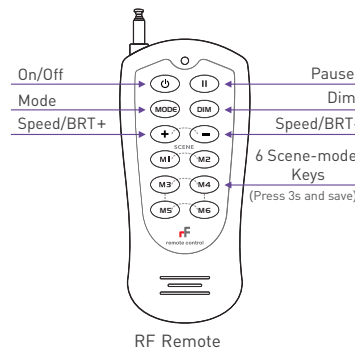
ID Learning Method:

Learning ID:

Press "On/Off" key on the controller for 3s, the buzzer long beep and the green light will be on, release the key, press any button on the remote, when the green light turns off means activated.

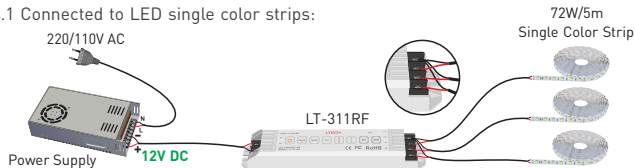
Cancelling ID:

Press "On/Off" key on the controller for 5s, the buzzer long beep, the green light will be on and flash once, meanwhile press any button on the remote, when the green light flashes several times means ID cancelled (do not release the "On/Off" key during the process).

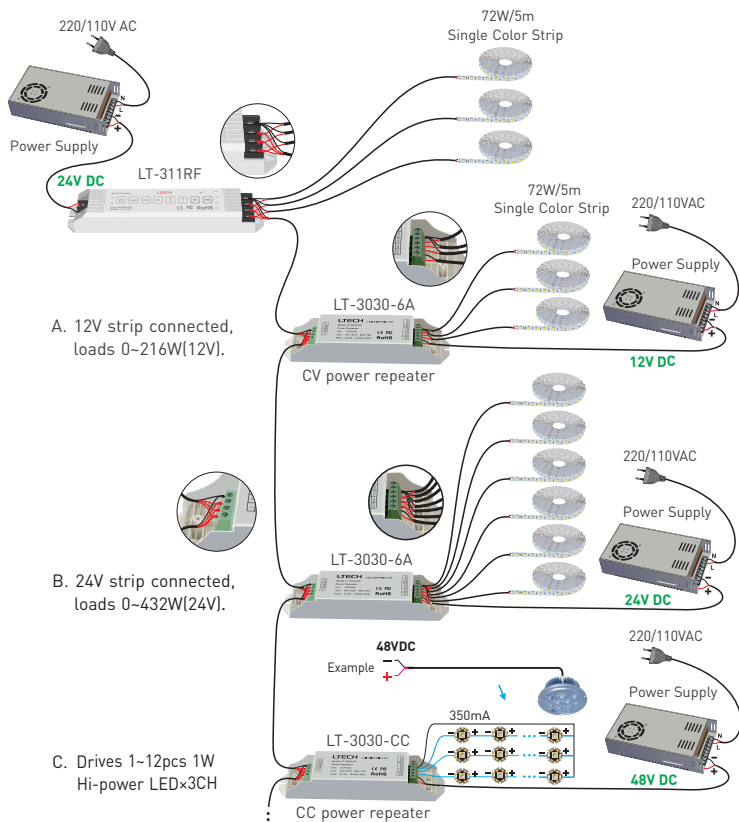


4. Wiring Diagram:

4.1 Connected to LED single color strips:



4.2 Power repeater can be added to expand power when the power is not enough. Constant current power repeater also can be added if control the high power LED at the same time.



5. Attention:

- 5.1 The product shall be installed and serviced by the qualified person.
- 5.2 This product is non-waterproof. Please avoid the sun and rain. When installed outdoors, please ensure it is mounted in a water proof enclosure.
- 5.3 Good heat dissipation will prolong the working life of the controller. Please ensure good ventilation.
- 5.4 Please check if the output voltage of the LED power supply used comply with the working voltage of the product.
- 5.5 Please ensure that adequate sized cable is used from the controller to the LED lights to carry the current. Please also ensure that the cable is secured tightly in the connector.
- 5.6 Ensure all wire connections and polarities are correct before applying power to avoid any damages to the LED lights.
- 5.7 If a fault occurs, please return the product to your supplier. Do not attempt to fix this product by yourself.

6. Warranty Agreement:

- 6.1 We provide lifelong technical assistance with this product:
 - A 5-year warranty is given from the date of purchase. The warranty is for free repair or replacement and cover manufacturing faults only.
 - For faults beyond the 5-year warranty, we reserve the right to charge for time and parts.
- 6.2 Warranty exclusions below:
 - Any man-made damages caused from improper operation, or connecting to excess voltage and overloading.
 - The product appears to have excessive physical damage.
 - Damage due to natural disasters and force majeure.
 - Warranty label, fragile label and unique barcode label have been damaged.
 - The product has been replaced by a brand new product.
- 6.3 Repair or replacement as provided under this warranty is the exclusive remedy to the customer. LTECH shall not be liable for any incidental or consequential damages for breach of any stipulation in this warranty.
- 6.4 Any amendment or adjustment to this warranty must be approved in writing by LTECH only.

★ This manual only applies to this model. LTECH reserves the right to make changes without prior notice.

LT-311RF 多功能LED调光控制器



LT-311RF多功能LED控制器是一款通用型调光控制器, 采用先进的PWM (脉宽调制) 数字化亮度调节技术; PC工程塑料外壳, 轻触式按钮操控, 体积轻巧, 美观大方; 带变化功能和亮度调节, 可以在接收控制器上的按钮上进行控制, 还可以远程RF遥控控制; 自动适应DC 12V-24V 电压输入, 广泛控制所有用电阻限流的单色的LED灯具产品。

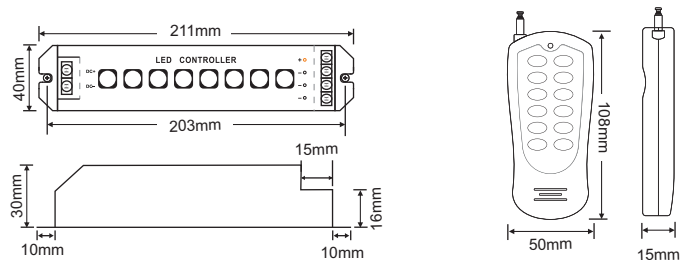
注: LT-311RF可连接我司恒流扩展器, 控制大功率LED灯具。

1. 性能参数:

LT-311RF (共阳极)

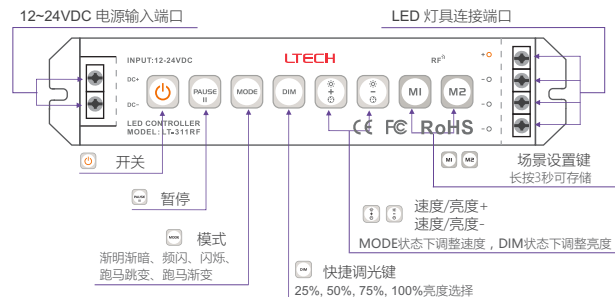
- 输入电压: 12~24VDC
- 最大负载电流: 6A × 3路 Max 18A
- 最大输出功率: 216W/432W(12V/24V)
- RF遥控距离: 100米
- 调光范围: 5~100%
- 工作温度: -30℃ ~ 55℃
- 产品尺寸: L211×W40×H30(mm)
- 包装尺寸: L313×W50×H32(mm)
- 重量(毛重): 240克

2. 外型尺寸:

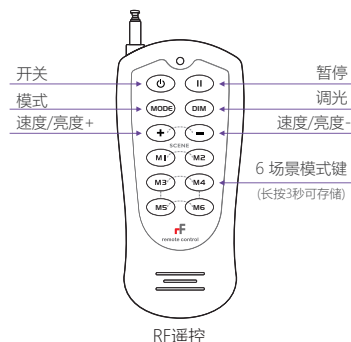


3. 按键端子描述:

接收控制器有8个功能键: ON/OFF, PAUSE, MODE, DIM, SPEED/BRT+, SPEED/BRT-, MI, M2



* 长按PAUSE键3秒, 可开关蜂鸣器。



ID学习方法:

学习ID:

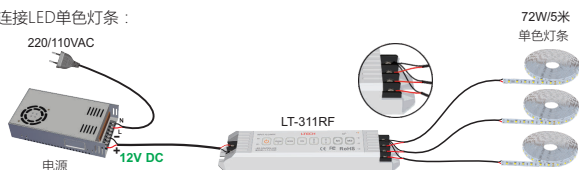
长按控制器ON/OFF开关键3秒不放, 蜂鸣器长响, 控制器绿色指示灯常亮, 此时松开按键, 再按遥控器上的任意按键, 当绿色指示灯熄灭, 学习ID成功。

删除ID:

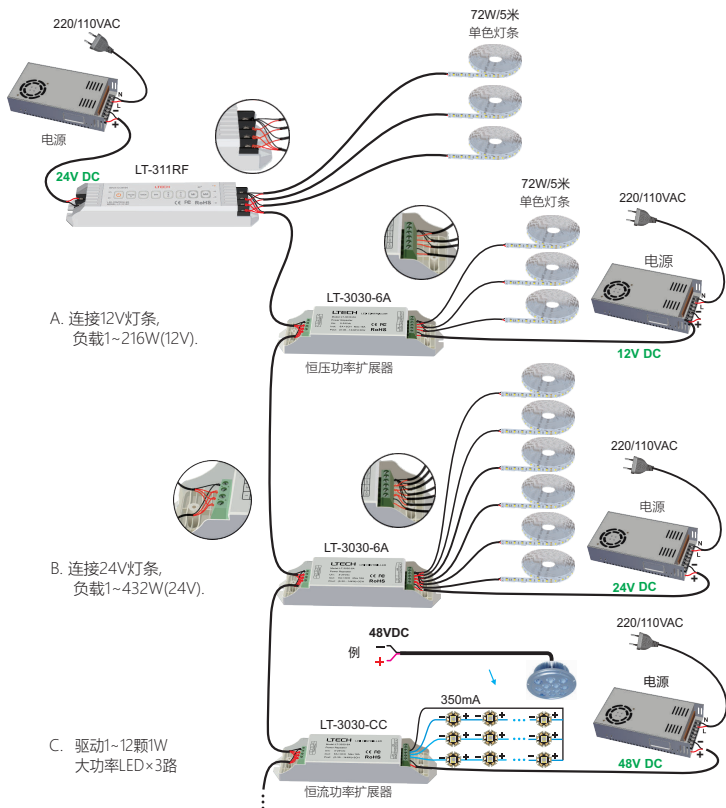
长按接收控制器ON/OFF开关键5秒不放, 蜂鸣器长响, 控制器绿色指示灯亮起后闪烁一下, 此时按遥控器的任意按键, 绿色指示灯快闪几次, 删除ID成功 (此过程中不可松开控制器的ON/OFF按键)。

4. 连接图:

4.1 连接LED单色灯条:



4.2 接收控制器功率不够时,可增加功率扩展器;想要同时控制大功率LED,可连接恒流扩展器。



5. 注意事项:

- 1、本产品请由具有专业资格的人员进行调试安装。
- 2、本产品不能防水,需避免日晒雨淋,如安装在户外,请用防水箱。
- 3、良好的散热条件会延长LED控制器的使用寿命,请把产品安装在通风良好的环境。
- 4、请检查使用的LED电源输出电压是否符合产品电压范围要求。
- 5、使用的电线直径大小必须能够负载连接的LED灯具,并确保接线牢固。
- 6、通电调试前,应确保所有接线正确,以避免因接线错误而导致灯具损坏。
- 7、如果发生故障,请勿私自维修;如果有疑问,请联系供应商。

6. 保修协议:

1. 购买雷特LED控制器产品享受终身技术支持和保修服务:
 - 免费保修:自购买之日起五年内出现产品质量问题雷特将给予免费修理或更换服务。
 - 有偿保修:超过免费保修期的产品收取适当的维修材料成本费用。
2. 以下情况不在免费保修或更换服务范围之内:
 - 过高电压、超负载、操作不当等人为造成的损坏;
 - 产品外形严重损坏或变形;
 - 自然灾害以及人力不可抗拒原因造成的损坏;
 - 产品保修标签和产品唯一条形码损坏。
 - 产品已经更新换代。
3. 修理或更换是雷特对客户唯一的补救措施。雷特不承担任何附带引起的损害赔偿费用。
4. 只有雷特享有修正或调整本保修条款的权利,并以书面形式发布认定为准。

★ 本说明书仅适用于本型号产品,如有更新恕不另行通知。